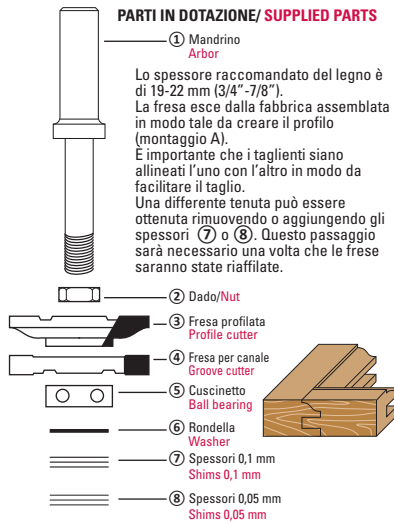
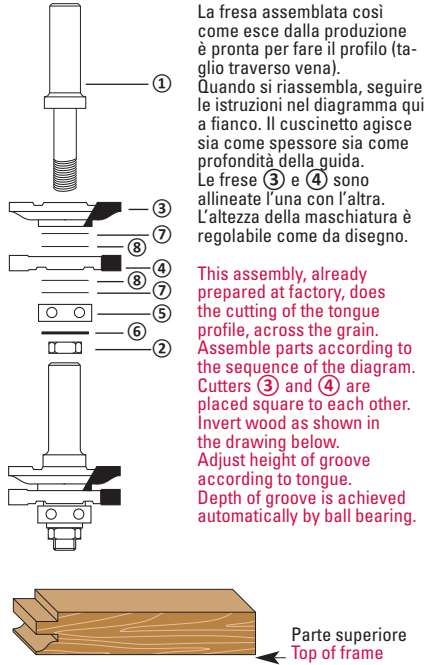


**PROFILO E CONTROPROFILO  
PROFILE TONGUE + GROOVE CUTTER**

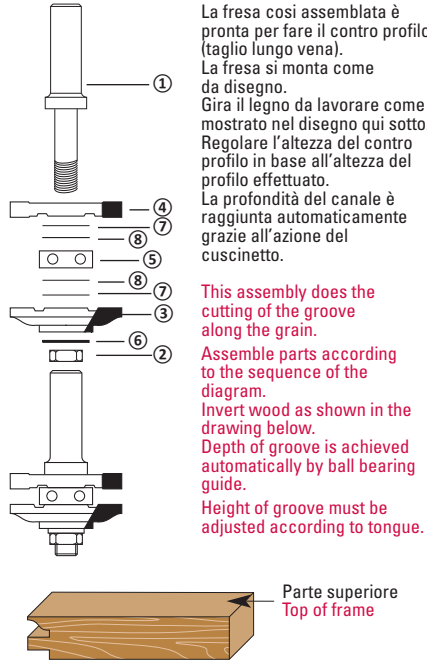


Recommended thickness of wood is 3/4"-7/8" (19-22 mm).  
At factory the tool was assembled ready to cut the tongue profile (assembly A).  
Cutter should be assembled square to each other to facilitate cutting.  
Changes in tightness can be achieved by adding or removing shims (7) or (8) this is very important after cutters have been reground.

**ASSEMBLAGGIO "A" - PROFILO  
ASSEMBLY "A" - TONGUE PROFILE**

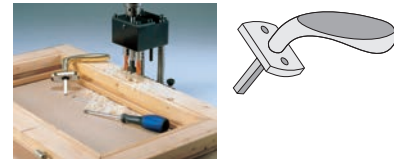


**ASSEMBLAGGIO "B" - CONTROPROFILO  
ASSEMBLY "B" - GROOVE PROFILE**



**ALTRI PRODOTTI/ OTHER PRODUCTS**

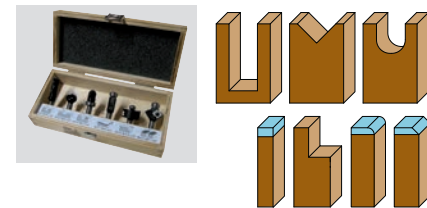
**TRIMATIC 43/0 PER FORATURA SCATOLA CREMONESE  
DRILLING FOR CREMONA BOLTS**



**SEGHE CIRCOLARI  
SAWBLADES**



**SET FRESE HW A COLTELLI REVERSIBILI "BASE"  
6 PIECE INSERT ROUTER BITS "SET"**



**GARANZIA/ GUARANTEE**

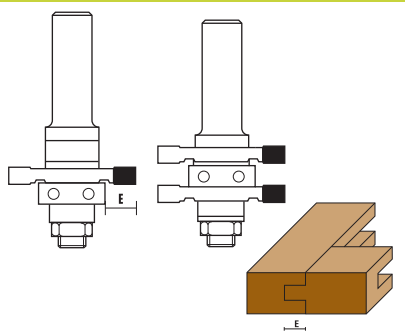
I prodotti **Klein** sono garantiti contro ogni difetto sia esso dovuto alla produzione sia al materiale usato, ad eccezione di utensili danneggiati a causa di un'impropria manutenzione o errato utilizzo.

**Klein** tools are guaranteed against any defects in either workmanship or material except tools that have been abused or have been damaged due to improper maintenance/usage.

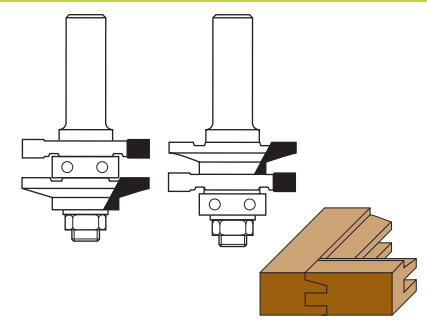


**SISTEMI S.r.l.** • Via Montanelli, 70  
61122 PESARO - ITALY  
Tel. +39.0721.28950 • Fax +39.0721.283476  
[www.sistemiklein.com](http://www.sistemiklein.com)  
[info@sistemiklein.com](mailto:info@sistemiklein.com)

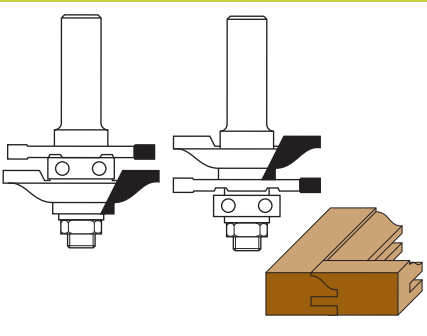
**C193 - E193 - G193**



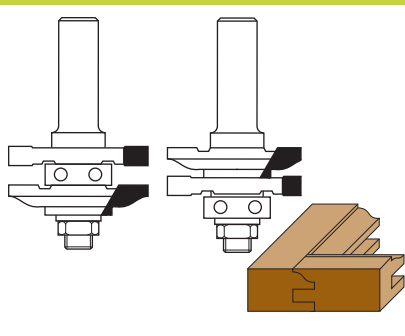
**C194 - E194 - G194**



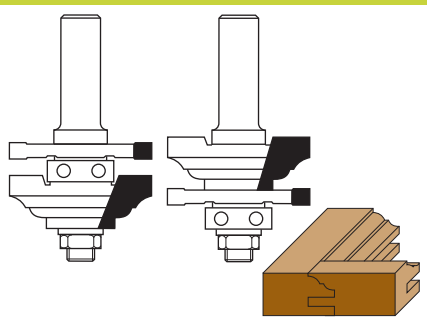
**C195 - E195 - G195**



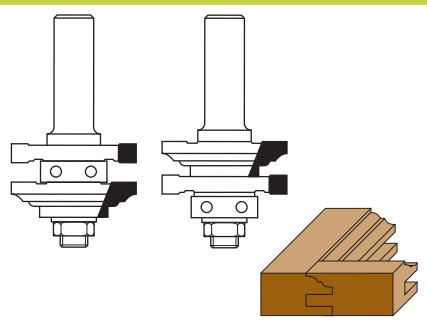
**C196 - E196 - G196**



**C197 - E197 - G197**



**C198 - E198 - G198**



**ALTRI PRODOTTI/ OTHER PRODUCTS**



**FRESE HW PER PIATTABANDA  
HW PANEL RAISING SET**



**FRESE COMBINIBILI  
PER ANTINE**

**RAIL AND STILE  
ROUTER BITS**



- C193 - E193 - G193**
- C194 - E194 - G194**
- C195 - E195 - G195**
- C196 - E196 - G196**
- C197 - E197 - G197**
- C198 - E198 - G198**